

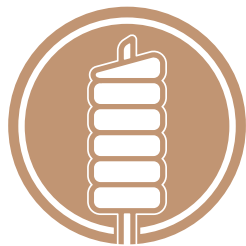


Trdelnik

Baumstrizel

Chimney
cake

Kurtos
Kalacs



doberkürtös

training academy, equipment & premium bakery mixes

PRICES:

- All prices are quoted in Euros.

TAXES:

- The listed prices do not include sales tax. (known as VAT, DDV, TVA, IVA, AFA etc). Sales tax is applied on top of the published prices & it is charged at the rate of the Republic of Slovenia where our business is registered. The current rate of VAT in The Republic of Slovenia is:
 - 22% on goods & services
 - 9.5% on food (Kurtos Kalacs EASY mix)
- For goods shipped outside the EU, no VAT will be applied to the purchase. However, once the goods reach the non-EU destination, local customs authorities may impose additional fees, such as administrative charges, as well as taxes (including import duties and/or sales tax) in accordance with the local import regulations. We are unable to provide specific information on the import processes, taxes, and fees for each country. Therefore, we recommend researching your country's procedures and inquiring about any applicable taxes and fees prior to placing your order, so you are fully informed of what to expect. To obtain more information on this subject, we recommend contacting our shipping partners in your country, such as DHL or FedEx or seek advice from a customs broker.
- For goods shipped within the EU, VAT will be charged at the current rate applicable in the Republic of Slovenia, unless the buyer provides a valid European VAT number. In that case, no VAT will be applied to the purchase. The European VAT number must be verified on the EU website (http://ec.europa.eu/taxation_customs/vies/) before any sale can be made without sales tax.

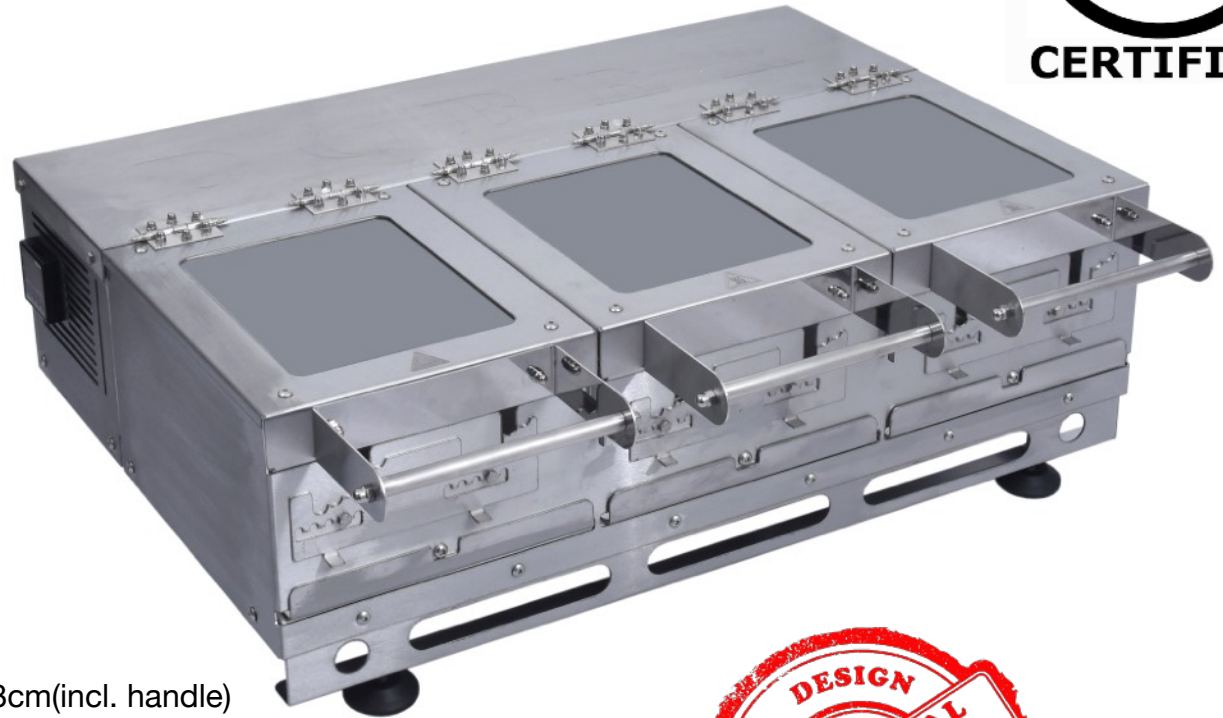
TO RECEIVE A QUOTATION:

- The listed prices exclude packaging, insurance, and shipping costs. To provide an accurate shipping quote, we require details of your order to calculate the package's weight and dimensions. Shipping costs are based on these factors, along with the delivery address.
- If you'd like a no-obligation quote or wish to place an order, please email us at info@kurtos-kalacs.com with the following details:
 - A list of the equipment and the quantity of each item you would like to order.
 - Full name of the recipient.
 - Business name (if applicable).
 - Invoice address.
 - Shipping address.
 - VAT (sales tax) number if you're within the European Union and have one. EIN & Dunns number if in the USA.
 - Contact telephone number(s)

INCLUDED WITH EACH BAKING MACHINE PURCHASE:

- USB Key containing, Step by step guide, reliable recipe & video tutorials.
- Comprehensive user manual for baking machines (in English).
- Easy to follow assembly manuals for accessories.

Electric grill 6 ECO



1840.00€ (excl. VAT)

Model No: DK-E6 ECO DIGITAL
Capacity: 6 pieces in one bake
Ave. production: 60 pieces/h
Glass: **heat reflective glass**
Weight: 24kg
Size: H: 24cm W: 70cm D: 58cm(incl. handle)
Rated power: 3 x 1,0kW
Material: Brushed stainless steel



Electric oven 8 ECO

1540.00€ (excl. VAT)

Model No:	DK-E8 ECO DIGITAL
Capacity:	8 pieces in one bake
Ave. production:	70 pieces/h
Glass:	heat reflective glass
Weight:	18kg
Size:	H: 55cm W: 24cm D: 42cm
Operational space:	W: 79 cm (oven with open door)
Rated power:	2 x 1,6kW
Material:	Brushed stainless steel



Electric oven 4



1190.00€ (excl. VAT)

Model No: DK-E4 DIGITAL
Capacity: 4 pieces in one bake
Ave. production: 35 pieces/h
Glass: **heat reflective glass**
Weight: 12kg
Size: H: 32cm W: 24cm D: 42cm
Operational space: W: 79 cm (oven with open door)
Rated power: 1,6kW
Material: Brushed stainless steel



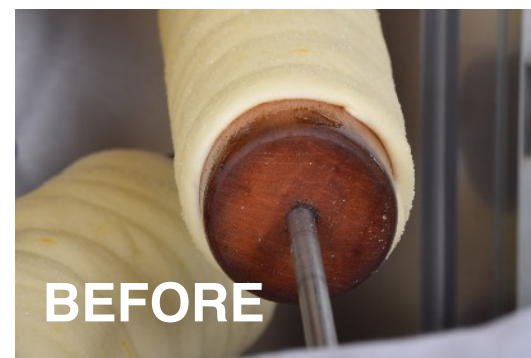
Electric oven 12 ECO

1790.00€ (excl. VAT)

Model No:	DK-E12 ECO DIGITAL
Capacity:	12 pieces in one bake
Ave. production:	90 pieces/h
Glass:	heat reflective glass
Weight:	27kg
Size:	H: 79cm W: 26cm D: 42cm
Operational space:	W: 81 cm (oven with open door)
Rated power:	3 x 1,6kW
Material:	Brushed stainless steel
Voltage:	380-400V



Dough roll proofer 10



1290.00€ (excl. VAT)

Model No:	DK-DRP10
Weight:	18kg
Size:	H: 55cm L: 42cm D: 58cm(incl. handle)
Operational space:	W: 79 cm (oven with open door)
Rated power:	1 x 300W
Material:	Brushed stainless steel

Kurtos bakery mix - ORIGINAL



R1 premium original - concentrate mix

Neto weight: 10kg

STANDARD SIZE (170g): 450 pieces / bag

CONE SIZE (90g): 850 pieces / bag

1 - 24 bags: **61.00€** (excl. VAT) / per bag

25 - 54 bags: **57.00€** (excl. VAT) / per bag

For pricing on larger quantities, please inquire.



R2 premium original - complete mix

Neto weight: 10kg

STANDARD SIZE (170g): 90 pieces / bag

CONE SIZE (90g): 170 pieces / bag

1 - 24 bags: **31.00€** (excl. VAT) / per bag

25 - 48 bags: **29.00€** (excl. VAT) / per bag

49 - 84 bags: **27.00€** (excl. VAT) / per bag

For pricing on larger quantities, please inquire.

Kurtos bakery mix - VEGAN STYLE

R4 vegan style - complete mix

Neto weight: 10kg

STANDARD SIZE (170g): 90 pieces / bag

CONE SIZE (90g): 170 pieces / bag

1 - 24 bags: **38.00€** (excl. VAT) / per bag

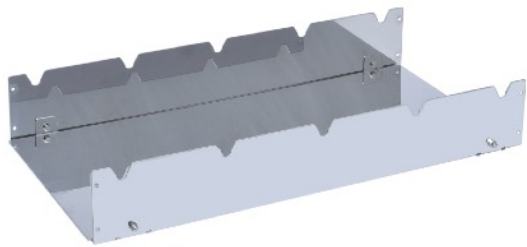
25 - 48 bags: **36.00€** (excl. VAT) / per bag

49 - 84 bags: **34.00€** (excl. VAT) / per bag

For pricing on larger quantities, please inquire.



Roll racks



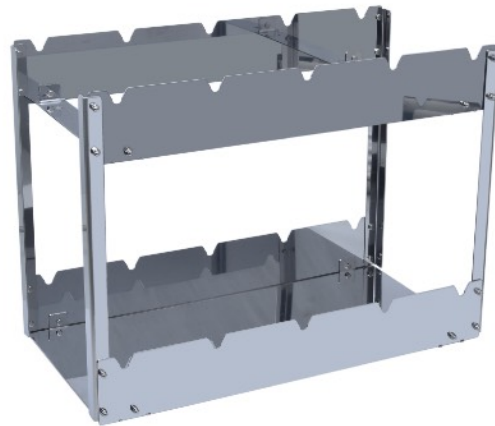
45.00€ (excl. VAT)

Roll surface rack - single

Capacity: 5 cooking rolls

Size: H: 7.5cm W: 50cm D: 25cm

Material: Stainless steel



95.00€ (excl. VAT)

Roll surface rack - double

Capacity: 10 cooking rolls

Size: H: 36cm W: 50cm D: 25cm

Material: Stainless steel



130.00€ (excl. VAT)

Roll surface rack - triple

Capacity: 15 cooking rolls

Size: H: 65cm W: 50cm D: 25cm

Material: Stainless steel



80.00€ (excl. VAT)

Roll wall rack

Capacity: 10 cooking rolls

Size: H: 103cm W: 25cm D: 13cm

Material: Stainless steel

Wooden CONE rolls (beech wood)



Re-designed & engineered front pin resulting in:

- Smoother rotation.
- Less resistance from rotary motor screw point.
- Less chance of damaging rotary motor when removing.



18.00€ (excl. VAT)

Wooden roll - cone 10

Cooking area: 10cm

Weight: 265g

Diameter: 2-4.5cm



18.00€ (excl. VAT)

Wooden roll - cone 13

Cooking area: 13cm

Weight: 354g

Diameter: 2-5.5cm



18.00€ (excl. VAT)

Wooden roll - cone 16

Cooking area: 16cm

Weight: 556g

Diameter: 2-6cm

Wooden rolls (beech wood)



Re-designed & engineered front pin resulting in:

- Smoother rotation.
- Less resistance from rotary motor screw point.
- Less chance of damaging rotary motor when removing.



18.00€ (excl. VAT)

Wooden roll - standard

Cooking area: 20cm

Weight: 560g

Diameter: 5.5cm



18.00€ (excl. VAT)

Wooden roll - long thin

Cooking area: 20cm

Weight: 324g

Diameter: 3.5cm



18.00€ (excl. VAT)

Wooden roll - small

Cooking area: 13cm

Weight: 324g

Diameter: 3.5cm (conical)

Stainless steel CONE rolls



Re-designed & engineered front pin resulting in:

- Smoother rotation.
- Less resistance from rotary motor screw point.
- Less chance of damaging rotary motor when removing.



45.00€ (excl. VAT)

Stainless steel roll - cone 13

Cooking area: 13cm

Weight: 350g

Diameter: 2,5-6cm



45.00€ (excl. VAT)

Stainless steel roll - cone 10

Cooking area: 10cm

Weight: 322g

Diameter: 2-4.8cm

Stainless steel rolls



Re-designed & engineered front pin resulting in:

- Smoother rotation.
- Less resistance from rotary motor screw point.
- Less chance of damaging rotary motor when removing.



40.00€ (excl. VAT)

Stainless steel roll - standard

Cooking area: 20cm

Weight: 640g

Diameter: 5cm



35.00€ (excl. VAT)

Stainless steel roll - small

Cooking area: 20cm

Weight: 474g

Diameter: 3cm



35.00€ (excl. VAT)

Stainless steel roll - mini

Cooking area: 20cm

Weight: 446g

Diameter: 2cm

Cutters

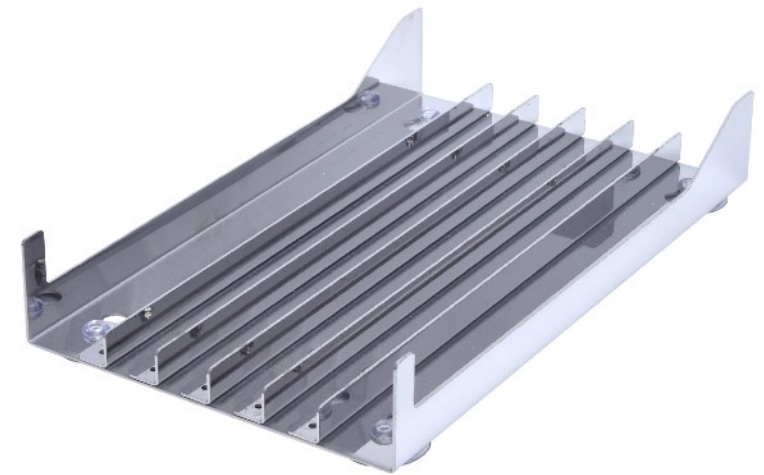


80.00€ (excl. VAT)

Kurtos cutter

Size: H: 5.5cm L: 35cm W: 21.5cm

Material: Stainless steel



80.00€ (excl. VAT)

Kurtos cutter - party

Size: H: 5.5cm L: 35cm W: 21.5cm

Material: Stainless steel

Kurtos spanner



15.00€ (excl. VAT)

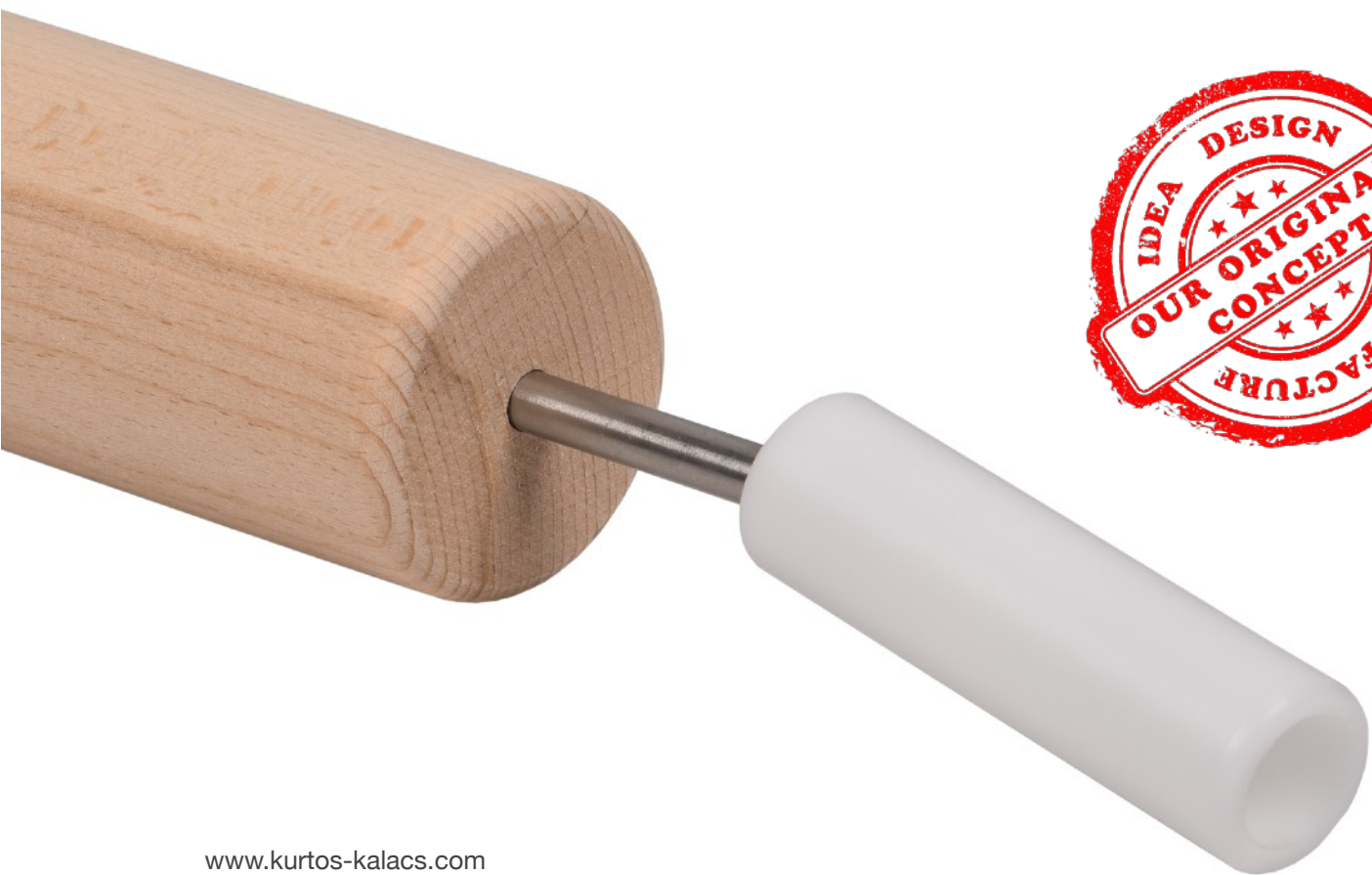
Kurtos spanner

Material: Stainless steel





Kurtos roller



10.00€ (excl. VAT)

Kurtos roller

Material: PVC

Cone holders



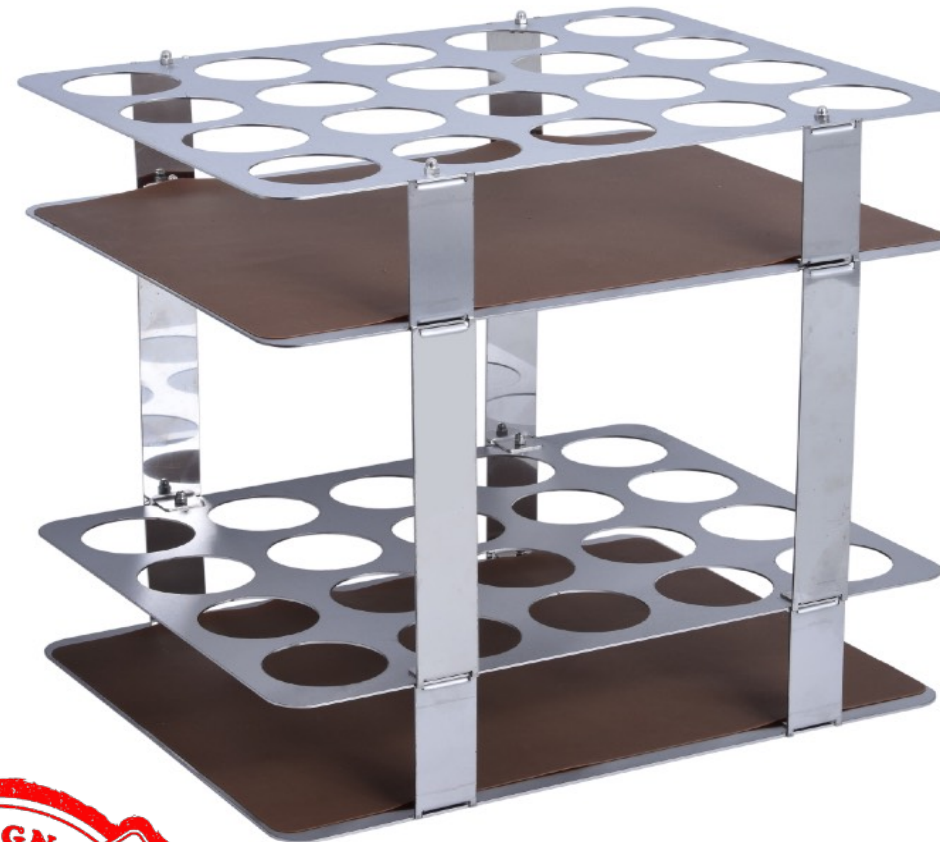
120.00€ (excl. VAT)

Cone holder - single

Capacity: 20 cones

Size: H: 8cm W: 40cm D: 30cm

Material: Stainless steel



230.00€ (excl. VAT)

Cone holder - double

Capacity: 40 cones

Size: H: 32cm W: 40cm D: 32cm

Material: Stainless steel

Standard holder



120.00€ (excl. VAT)

Standard holder

Capacity: 12 standard

Size: H: 10cm W: 40cm D: 30cm

Material: Stainless steel



3D Kurtos model



350.00€ (excl. VAT)

3D Kurtos model

Weight: 2,4kg

Size: H: 80cm

Diameter: 40cm



Toppings tray frame



230.00€ (excl. VAT)

Toppings tray frame

Capacity: 6 x Gastronorm (GN) food pans 1/2 (GN):
325mm length x 265mm width x 65mm deep

Size: H: 35cm W: 82cm D: 35 - 55cm (adjustable)

Material: Stainless steel

**PLEASE NOTE: PANS / TRAYS & LIDS ARE NOT INCLUDED;
YOU NEED TO PURCHASE THESE SEPARATELY FROM A
LOCAL CATERING SUPPLY COMPANY.**

Kurtos paper serving



112.50€ (excl. VAT)

Kurtos paper cones

Quantity: 3600 pieces

Material: FSC certified, greaseproof paper

Weight: 10kg (3600 pieces)

Size: K14



Kurtos serving bags

85.00€ (excl. VAT)

0,04€ per piece (excl. VAT)

Kurtos serving bags

Quantity: 2000 pieces

Material: Polypropylene (PP)

Weight: 5,2kg (2000 pieces)

Length: 35cm

Width: 16cm



Chocolate melters



210.00€ (excl. VAT)

Chocolate melter 1,5L (230V)

Capacity: 1.5L

Size: H: 8cm W: 40cm D: 30cm



220.00€ (excl. VAT)

Chocolate melter 1,5L (120V)

Capacity: 1.5L

Size: H: 8cm W: 40cm D: 30cm